



Electromagnetic Locks

## Indoor EM Series

Standard Locks for Residential and Business



### Standard Features

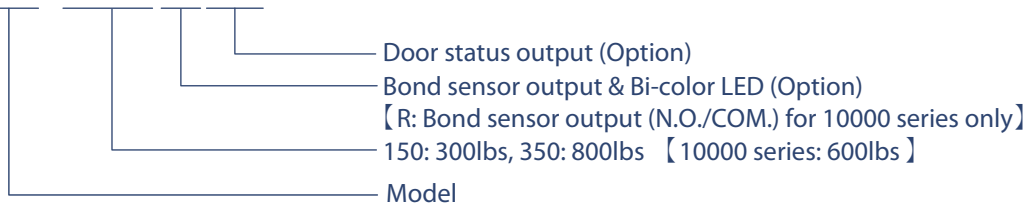
- Low maintenance with high reliability
- Adjustable mounting plate for easy installation
- Aluminum anodized casing
- MOV prevents spike and surge current
- Dual voltage 12/24VDC field selectable
- No residual magnetism

### Standard Options

- Bond sensor output with Bi-color status LED indicator
- Door status output
- Relock time delay

### How to Order:


**EM-350MDS**



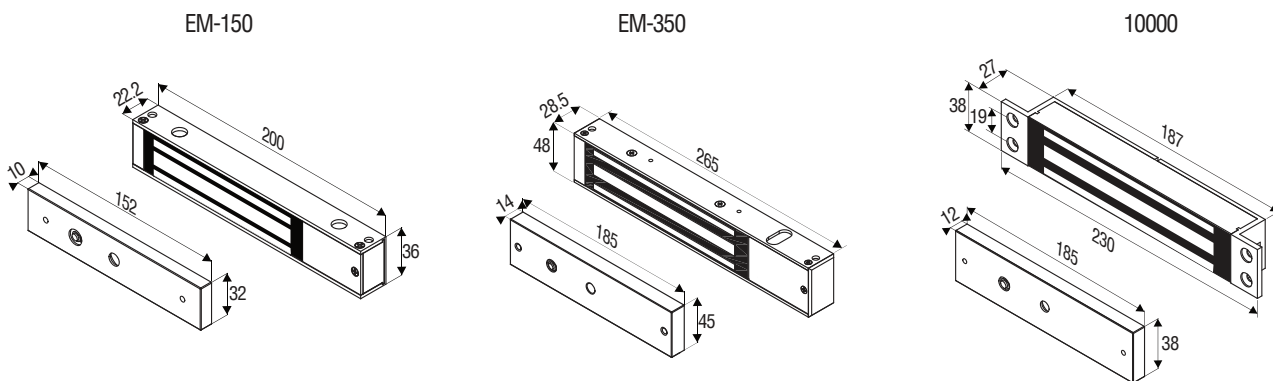


# Indoor NH Series Electromagnetic Locks

## Indoor EM Series Electromagnetic Locks

Models	Holding Force (lbs)	Voltage (VDC)	Magnet	Standard Options	Optional Brackets	
					Narrow Frame/ Outswing Door	Inswing Door
Surface Mount						
EM-150	300	12/24	Single	M	L-EM150	LZ-EM150
EM-350 	800	12/24	Single	M, MDS	L-350	LZ-350
Mortise Mount						
10000	600	12/24	Single	R	—	—

## Indoor EM Series Dimensions



All dimensions in mm